



# 3V/5V, 10-Bit, Serial Voltage-Output Dual DACs with Internal Reference

MAX5232/MAX5233

## General Description

The MAX5232/MAX5233 low-power, dual 10-bit voltage-output digital-to-analog converters (DACs) feature an internal 10ppm/°C precision bandgap voltage reference and precision output amplifiers. The MAX5233 operates on a single 5V supply with an internal 2.465V reference and features a 4.092V full-scale output range. The MAX5232 operates on a single 3V supply with an internal 1.234V reference and features a 2.046V full-scale output range. The MAX5233 consumes only 470μA while the MAX5232 consumes only 420μA of supply current. Both devices feature low-power (2μA) software- and hardware-enabled shutdown modes.

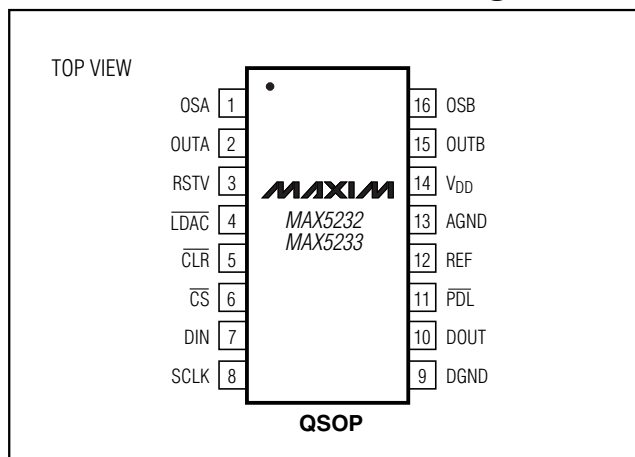
The MAX5232/MAX5233 feature a 13.5MHz SPI™-, QSPI™-, and MICROWIRE™-compatible 3-wire serial interface. An additional data output (DOUT) allows for daisy-chaining and read back. Each DAC has a double-buffered digital input. The MAX5232/MAX5233 feature two software-selectable shutdown output impedances: 1kΩ or 200kΩ. A power-up reset feature sets DAC outputs at ground or at the midscale DAC code.

The MAX5232/MAX5233 are specified over the extended temperature range (-40°C to +85°C) and are available in 16-pin QSOP packages.

## Applications

Industrial Process Controls  
Automatic Test Equipment  
Digital Offset and Gain Adjustment  
Motion Control  
μP-Controlled Systems

## Pin Configuration



## Features

- ◆ Internal 10ppm/°C Precision Bandgap Reference  
2.465V (MAX5233)  
1.234V (MAX5232)
- ◆ 30ppm/°C (max) Full-Scale Output Range  
4.092V (MAX5233)  
2.046V (MAX5232)
- ◆ Single-Supply Operation  
5V (MAX5233)  
3V (MAX5232)
- ◆ Low Supply Current  
470μA (MAX5233)  
420μA (MAX5232)
- ◆ 13.5MHz SPI/QSPI/MICROWIRE-Compatible, 3-Wire Serial Interface
- ◆ Pin-Programmable Power-Up Reset State to Zero or Midscale Output Voltage
- ◆ Programmable Shutdown Modes with 1kΩ or 200kΩ Internal Output Loads
- ◆ Recalls Output State Prior to Shutdown or Reset
- ◆ Buffered Output Drives 5kΩ || 100pF Loads
- ◆ Space-Saving 16-Pin QSOP Package

## Ordering Information

PART	TEMP RANGE	PIN-PACKAGE	INL (LSB)
MAX5232EEE	-40°C to +85°C	16 QSOP	±0.5
MAX5233EEE	-40°C to +85°C	16 QSOP	±0.5

Functional Diagram appears at end of data sheet.

SPI and QSPI are trademarks of Motorola, Inc.

MICROWIRE is a trademark of National Semiconductor, Corp.

# 3V/5V, 10-Bit, Serial Voltage-Output Dual DACs with Internal Reference

## ABSOLUTE MAXIMUM RATINGS

V <sub>DD</sub> to AGND, DGND	-0.3V to +6V	Maximum Current into Any Pin	50mA
AGND to DGND	-0.3V to +0.3V	Continuous Power Dissipation (T <sub>A</sub> = +70°C)	
Digital Inputs to DGND	-0.3V to +6V	16-Pin QSOP (derate 8.3mW/°C above +70°C)	667mW
Digital Output (DO <sub>UT</sub> ) to DGND	-0.3V to V <sub>DD</sub> + 0.3V	Operating Temperature Range	-40°C to +85°C
OUT <sub>-</sub> to AGND	-0.3V to V <sub>DD</sub> + 0.3V	Storage Temperature Range	-65°C to +150°C
OS <sub>-</sub> to AGND	-4V to V <sub>DD</sub> + 0.3V	Lead Temperature (soldering, 10s)	+300°C

Stresses beyond those listed under "Absolute Maximum Ratings" may cause permanent damage to the device. These are stress ratings only, and functional operation of the device at these or any other conditions beyond those indicated in the operational sections of the specifications is not implied. Exposure to absolute maximum rating conditions for extended periods may affect device reliability.

## ELECTRICAL CHARACTERISTICS—MAX5233

(V<sub>DD</sub> = +4.5V to +5.5V, OS<sub>-</sub> = AGND = DGND = 0, R<sub>L</sub> = 5kΩ, C<sub>L</sub> = 100pF, T<sub>A</sub> = T<sub>MIN</sub> to T<sub>MAX</sub>, unless otherwise noted. Typical values are at T<sub>A</sub> = +25°C.)

PARAMETER	SYMBOL	CONDITIONS	MIN	TYP	MAX	UNITS
<b>STATIC PERFORMANCE</b>						
Resolution	N		10			Bits
Integral Nonlinearity (Note 1)	INL				±0.5	LSB
Differential Nonlinearity	DNL				±1	LSB
Offset Error (Note 2)	V <sub>OS</sub>				±3	mV
Offset-Temperature Coefficient (Note 3)	TCV <sub>OS</sub>			8		μV/°C
Full-Scale Voltage	V <sub>FS</sub>	Code = 3FF hex, T <sub>A</sub> = +25°C	4.067	4.092	4.117	V
Full-Scale Temperature Coefficient (Notes 3 and 6)	TCV <sub>FS</sub>			10	30	ppm/°C
Power-Supply Rejection	PSR	4.5V ≤ V <sub>DD</sub> ≤ 5.5V		30	200	μV
DC Crosstalk (Note 4)					100	μV
<b>REFERENCE</b>						
Output-Voltage	V <sub>REF</sub>			2.465		V
Output Voltage Temperature Coefficient (Note 3)	TCV <sub>REF</sub>			10		ppm/°C
Reference External Load Regulation	V <sub>OUT</sub> /I <sub>OUT</sub>	0 ≤ I <sub>OUT</sub> ≤ 100μA (sourcing)		0.1	2	μV/μA
Reference Short-Circuit Current				4		mA
<b>DIGITAL INPUTS</b>						
Input High Voltage	V <sub>IH</sub>		0.7 × V <sub>DD</sub>			V
Input Low Voltage	V <sub>IL</sub>				0.3 × V <sub>DD</sub>	V
Input Hysteresis	V <sub>HYS</sub>			200		mV
Input Leakage Current	I <sub>IN</sub>	Digital inputs = 0 or V <sub>DD</sub>			±1	μA
Input Capacitance	C <sub>IN</sub>			8		pF
<b>DIGITAL OUTPUTS</b>						
Output High Voltage	V <sub>OH</sub>	I <sub>SOURCE</sub> = 2mA	4.25			V
Output Low Voltage	V <sub>OL</sub>	I <sub>SINK</sub> = 2mA			0.2	V

# 3V/5V, 10-Bit, Serial Voltage-Output Dual DACs with Internal Reference

MAX5232/MAX5233

## ELECTRICAL CHARACTERISTICS—MAX5233 (continued)

( $V_{DD} = +4.5V$  to  $+5.5V$ ,  $OS_{-} = AGND = DGND = 0$ ,  $R_L = 5k\Omega$ ,  $C_L = 100pF$ ,  $T_A = T_{MIN}$  to  $T_{MAX}$ , unless otherwise noted. Typical values are at  $T_A = +25^{\circ}C$ .)

PARAMETER	SYMBOL	CONDITIONS	MIN	TYP	MAX	UNITS
<b>DYNAMIC PERFORMANCE</b>						
Voltage-Output Slew Rate	SR			0.6		V/ $\mu$ s
Voltage-Output Settling Time		To $\pm 0.5LSB$ , $V_{STEP} = \pm 4V$ ( $V_{DD} - 0.25V$ ) $\geq V_{OUT} \geq 0.25V$		10		$\mu$ s
Output-Voltage Swing (Note 5)				0 to $V_{DD}$		V
$OS_{-}$ Input Resistance	$R_{OS}$		83	121		$k\Omega$
Time Required for Output to Settle After Turning on $V_{DD}$ (Note 6)				95	400	$\mu$ s
Time Required for Output to Settle After Exiting Full Power-Down (Note 6)				95	400	$\mu$ s
Time Required for Output to Settle After Exiting DAC Power-Down (Note 6)				12	160	$\mu$ s
Digital Feedthrough		$\overline{CS} = V_{DD}$ , $f_{SCLK} = 100kHz$ , $V_{SCLK} = 5VP-P$		5		nV-s
Major-Carry Glitch Energy				90		nV-s
<b>POWER SUPPLIES</b>						
Power-Supply Voltage	$V_{DD}$		4.5		5.5	V
Power-Supply Current (Note 7)	$I_{DD}$			470	525	$\mu$ A
Power-Supply Current in Power-Down and Shutdown Modes (Note 7)		Full power-down mode		1.4	5	$\mu$ A
		One DAC shutdown mode		350	390	
		Both DACs shutdown mode		235	260	

## ELECTRICAL CHARACTERISTICS—MAX5232

( $V_{DD} = +2.7V$  to  $+3.6V$ ,  $OS_{-} = AGND = DGND = 0$ ,  $R_L = 5k\Omega$ ,  $C_L = 100pF$ ,  $T_A = T_{MIN}$  to  $T_{MAX}$ , unless otherwise noted. Typical values are at  $T_A = +25^{\circ}C$ .)

PARAMETER	SYMBOL	CONDITIONS	MIN	TYP	MAX	UNITS
Resolution	N		10			Bits
Integral Nonlinearity (Note 1)	INL				$\pm 0.5$	LSB
Differential Nonlinearity	DNL				$\pm 1$	LSB
Offset Error (Note 2)	$V_{OS}$				$\pm 3$	mV
Offset-Temperature Coefficient (Note 3)	$TCV_{OS}$			8		$\mu$ V/ $^{\circ}C$
Full-Scale Voltage	$V_{FS}$	Code = 3FF hex, $T_A = +25^{\circ}C$	2.0335	2.0460	2.0585	V
Full-Scale Temperature Coefficient (Notes 3 and 6)	$TCV_{FS}$			10	30	ppm/ $^{\circ}C$
Power-Supply Rejection	PSR	$2.7V \leq V_{DD} \leq 3.6V$		40	280	$\mu$ V
DC Crosstalk (Note 4)					100	$\mu$ V

# 3V/5V, 10-Bit, Serial Voltage-Output Dual DACs with Internal Reference

## ELECTRICAL CHARACTERISTICS—MAX5232 (continued)

( $V_{DD} = +2.7V$  to  $+3.6V$ ,  $OS_ = AGND = DGND = 0$ ,  $R_L = 5k\Omega$ ,  $C_L = 100pF$ ,  $T_A = T_{MIN}$  to  $T_{MAX}$ , unless otherwise noted. Typical values are at  $T_A = +25^\circ C$ .)

PARAMETER	SYMBOL	CONDITIONS	MIN	TYP	MAX	UNITS
<b>REFERENCE</b>						
Output Voltage	$V_{REF}$			1.234		V
Output-Voltage Temperature Coefficient (Note 3)	$TCV_{REF}$			10		ppm/ $^\circ C$
Reference External Load Regulation	$V_{OUT}/I_{OUT}$	$0 \leq I_{OUT} \leq 100\mu A$ (sourcing)		0.1	2	$\mu V/\mu A$
Reference Short-Circuit Current				4		mA
<b>DIGITAL INPUTS</b>						
Input High Voltage	$V_{IH}$		$0.7 \times V_{DD}$			V
Input Low Voltage	$V_{IL}$				$0.3 \times V_{DD}$	V
Input Hysteresis	$V_{HYS}$			200		mV
Input Leakage Current	$I_{IN}$	Digital inputs = 0 or $V_{DD}$			$\pm 1$	$\mu A$
Input Capacitance	$C_{IN}$			8		pF
<b>DIGITAL OUTPUTS</b>						
Output High Voltage	$V_{OH}$	$I_{SOURCE} = 2mA$	2.3			V
Output Low Voltage	$V_{OL}$	$I_{SINK} = 2mA$			0.25	V
<b>DYNAMIC PERFORMANCE</b>						
Voltage-Output Slew Rate	SR			0.6		V/ $\mu s$
Voltage-Output Settling Time		To $\pm 0.5$ LSB, $V_{STEP} = \pm 2V$ ( $V_{DD} - 0.25V$ ) $\geq V_{OUT} \geq 0.25V$		10		$\mu s$
Output-Voltage Swing (Note 5)				0 to $V_{DD}$		V
$OS_$ Input Resistance	$R_{OS}$		83	121		$k\Omega$
Time Required for Output to Settle After Turning on $V_{DD}$ (Note 6)				95	400	$\mu s$
Time Required for Output to Settle After Exiting Full Power-Down (Note 6)				95	400	$\mu s$
Time Required for Output to Settle After Exiting DAC Power-Down (Note 6)				12	160	$\mu s$
Digital Feedthrough		$\overline{CS} = V_{DD}$ , $f_{SCLK} = 100kHz$ , $V_{SCLK} = 3VP-P$		5		nV-s
Major-Carry Glitch Energy				90		nV-s

# 3V/5V, 10-Bit, Serial Voltage-Output Dual DACs with Internal Reference

MAX5232/MAX5233

## ELECTRICAL CHARACTERISTICS—MAX5232 (continued)

( $V_{DD} = +2.7V$  to  $+3.6V$ ,  $OS_{-} = AGND = DGND = 0$ ,  $R_L = 5k\Omega$ ,  $C_L = 100pF$ ,  $T_A = T_{MIN}$  to  $T_{MAX}$ , unless otherwise noted. Typical values are at  $T_A = +25^{\circ}C$ .)

PARAMETER	SYMBOL	CONDITIONS	MIN	TYP	MAX	UNITS
<b>POWER SUPPLIES</b>						
Power-Supply Voltage	$V_{DD}$		2.7		3.6	V
Power-Supply Current (Note 7)	$I_{DD}$			420	475	$\mu A$
Power-Supply Current in Power-Down and Shutdown Modes (Note 7)		Full power-down mode		0.9	5	$\mu A$
		One DAC shutdown mode		320	360	
		Both DACs shutdown mode		220	245	

**Note 1:** Accuracy is guaranteed as shown in the following table:

$V_{DD}$ (V)	ACCURACY GUARANTEED	
	FROM CODE	TO CODE
3	6	1023
5	3	1023

**Note 2:** Offset is measured at the code closest to 12mV.

**Note 3:** Temperature coefficient is determined by the box method in which the maximum  $\Delta V_{OUT}$  over the temperature range is divided by  $\Delta T$ .

**Note 4:** DC crosstalk is measured as follows: set DAC A to midscale, and DAC B to zero, and measure DAC A output; then change DAC B to full scale, and measure  $\Delta V_{OUT}$  for DAC A. Repeat the same measurement with DAC A and DAC B interchanged. DC crosstalk is the maximum  $\Delta V_{OUT}$  measured.

**Note 5:** Accuracy is better than 1LSB for  $V_{OUT} = 12mV$  to  $V_{DD} - 180mV$ .

**Note 6:** Guaranteed by design, not production tested.

**Note 7:**  $R_{LOAD} = \infty$  and digital inputs are at either  $V_{DD}$  or  $DGND$ .

## TIMING CHARACTERISTICS—MAX5233

( $V_{DD} = +4.5V$  to  $+5.5V$ ,  $AGND = DGND = 0$ ,  $T_A = T_{MIN}$  to  $T_{MAX}$ , unless otherwise noted. Typical values are at  $T_A = +25^{\circ}C$ .) (Figures 1 and 2)

PARAMETER	SYMBOL	CONDITIONS	MIN	TYP	MAX	UNITS
SCLK Clock Period	$t_{CP}$		74			ns
SCLK Pulse Width High	$t_{CH}$		30			ns
SCLK Pulse Width Low	$t_{CL}$		30			ns
$\overline{CS}$ Fall to SCLK Rise Setup Time	$t_{CSS}$		30			ns
SCLK Rise to $\overline{CS}$ Rise Hold Time	$t_{CSH}$		0			ns
DIN Setup Time	$t_{DS}$		30			ns
DIN Hold Time	$t_{DH}$		0			ns
SCLK Rise to DOUT Valid Propagation Delay Time	$t_{DO1}$	$C_{LOAD} = 200pF$			80	ns
SCLK Fall to DOUT Valid Propagation Delay Time	$t_{DO2}$	$C_{LOAD} = 200pF$			80	ns
SCLK Rise to $\overline{CS}$ Fall Delay	$t_{CS0}$		10			ns
$\overline{CS}$ Rise to SCLK Rise Hold Time	$t_{CS1}$		30			ns
$\overline{CS}$ Pulse Width High	$t_{CSW}$		75			ns
$\overline{LDAC}$ Pulse Width Low	$t_{LDL}$		30			ns
$\overline{CS}$ Rise to $\overline{LDAC}$ Rise Hold Time	$t_{CSLD}$	(Note 8)	40			ns

# 3V/5V, 10-Bit, Serial Voltage-Output Dual DACs with Internal Reference

## TIMING CHARACTERISTICS—MAX5232

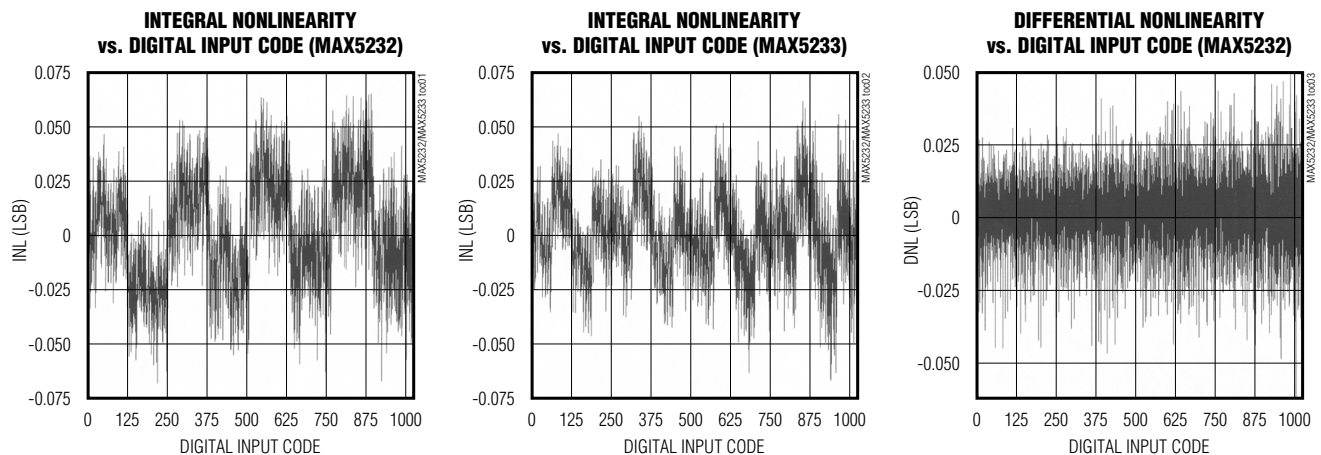
( $V_{DD} = +2.7V$  to  $+3.6V$ ,  $AGND = DGND = 0$ ,  $T_A = T_{MIN}$  to  $T_{MAX}$ , unless otherwise noted. Typical values are at  $T_A = +25^\circ C$ .) (Figures 1 and 2)

PARAMETER	SYMBOL	CONDITIONS	MIN	TYP	MAX	UNITS
SCLK Clock Period	$t_{CP}$		74			ns
SCLK Pulse Width High	$t_{CH}$		30			ns
SCLK Pulse Width Low	$t_{CL}$		30			ns
$\overline{CS}$ Fall to SCLK Rise Setup Time	$t_{CSS}$		30			ns
SCLK Rise to $\overline{CS}$ Rise Hold Time	$t_{CSH}$		0			ns
DIN Setup Time	$t_{DS}$		30			ns
DIN Hold Time	$t_{DH}$		0			ns
SCLK Rise to DOUT Valid Propagation Delay Time	$t_{DO1}$	$C_{LOAD} = 200pF$			200	ns
SCLK Fall to DOUT Valid Propagation Delay Time	$t_{DO2}$	$C_{LOAD} = 200pF$			200	ns
SCLK Rise to $\overline{CS}$ Fall Delay	$t_{CS0}$		10			ns
$\overline{CS}$ Rise to SCLK Rise Hold Time	$t_{CS1}$		30			ns
$\overline{CS}$ Pulse Width High	$t_{CSW}$		75			ns
$\overline{LDAC}$ Pulse Width Low	$t_{LDL}$		30			ns
$\overline{CS}$ Rise to $\overline{LDAC}$ Rise Hold Time	$t_{CSLD}$	(Note 8)	75			ns

**Note 8:** This timing requirement applies only to  $\overline{CS}$  rising edges, which execute commands modifying the DAC input register contents.

## Typical Operating Characteristics

( $V_{DD} = +3V$  (MAX5230),  $V_{DD} = +5V$  (MAX5231),  $R_L = 5k\Omega$ ,  $C_L = 100pF$ ,  $OS_+ = AGND$ , both DACs enabled with full-scale output code,  $T_A = +25^\circ C$ , unless otherwise noted.)

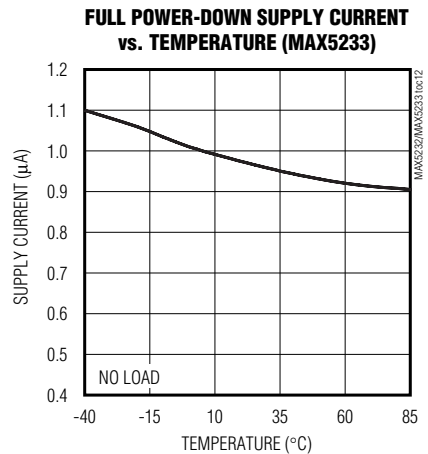
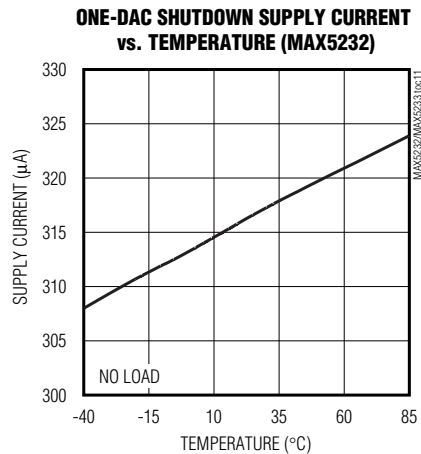
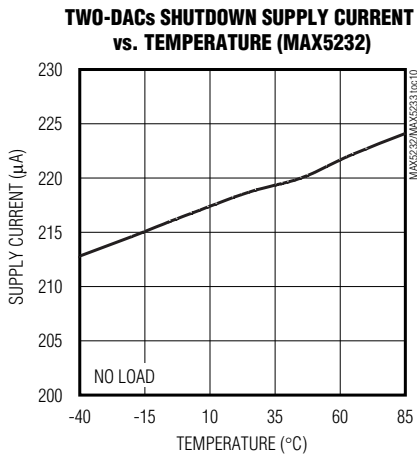
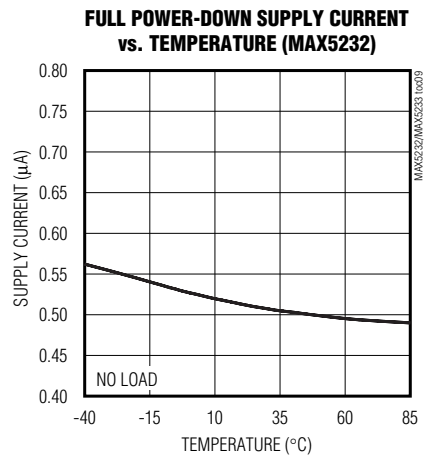
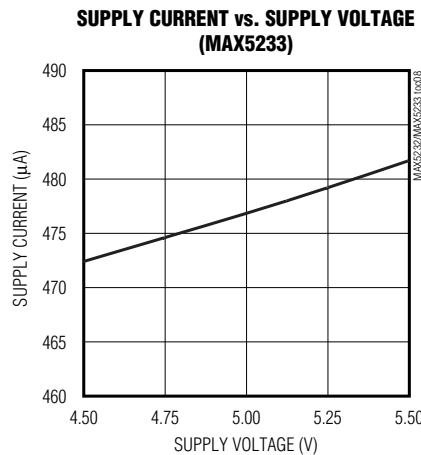
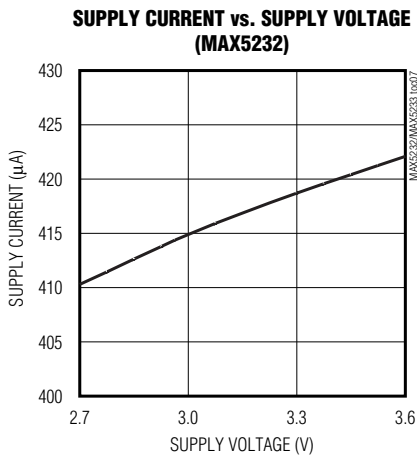
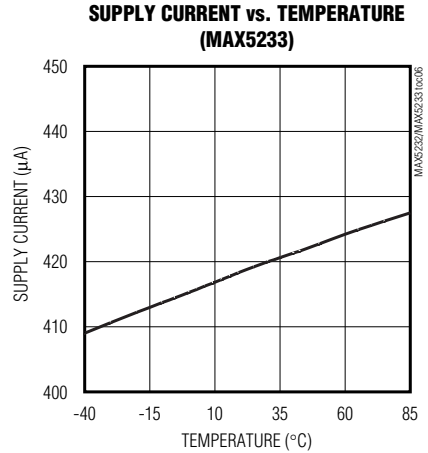
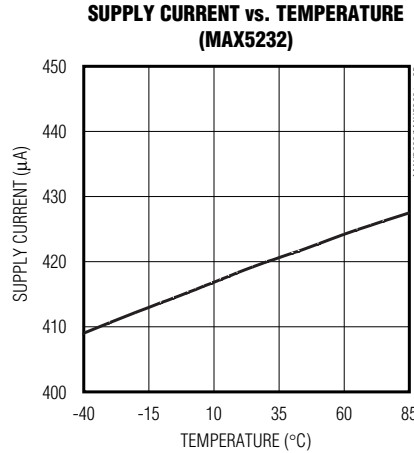
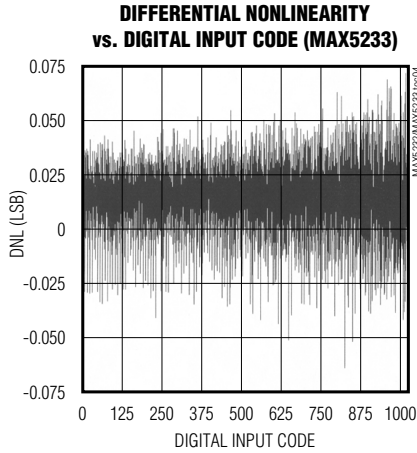


# 3V/5V, 10-Bit, Serial Voltage-Output Dual DACs with Internal Reference

MAX5232/MAX5233

## Typical Operating Characteristics (continued)

( $V_{DD} = +3V$  (MAX5232),  $V_{DD} = +5V$  (MAX5233),  $R_L = 5k\Omega$ ,  $C_L = 100pF$ ,  $OS_+ = AGND$ , both DACs enabled with full-scale output code,  $T_A = +25^\circ C$ , unless otherwise noted.)

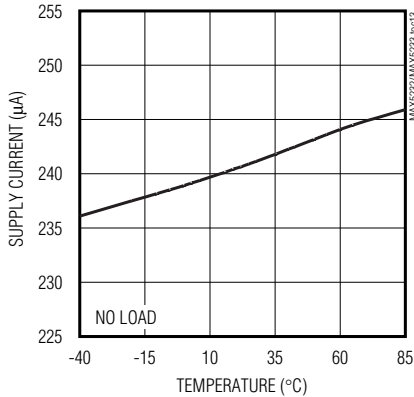


# 3V/5V, 10-Bit, Serial Voltage-Output Dual DACs with Internal Reference

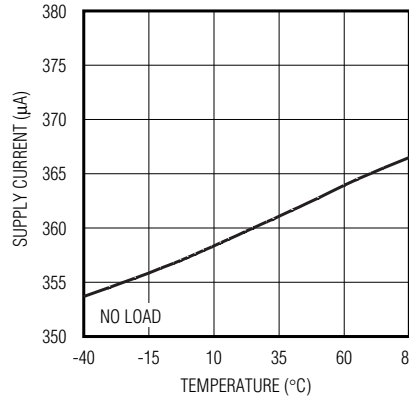
## Typical Operating Characteristics (continued)

( $V_{DD} = +3V$  (MAX5232),  $V_{DD} = +5V$  (MAX5233),  $R_L = 5k\Omega$ ,  $C_L = 100pF$ ,  $OS_{-} = AGND$ , both DACs enabled with full-scale output code,  $T_A = +25^{\circ}C$ , unless otherwise noted.)

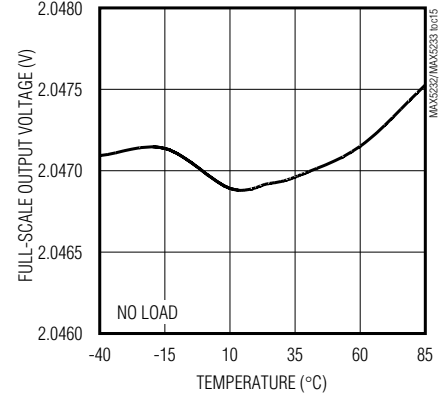
**TWO-DACs SHUTDOWN SUPPLY CURRENT vs. TEMPERATURE (MAX5233)**



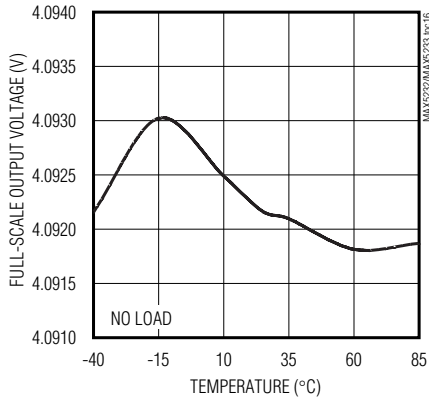
**ONE-DAC SHUTDOWN SUPPLY CURRENT vs. TEMPERATURE (MAX5233)**



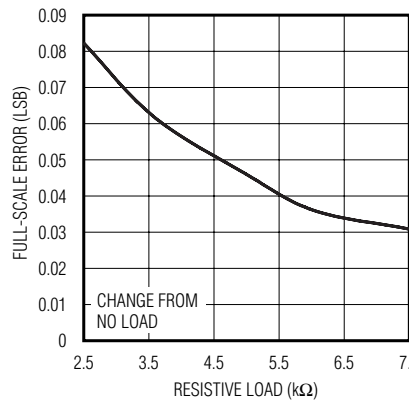
**FULL-SCALE OUTPUT VOLTAGE vs. TEMPERATURE (MAX5232)**



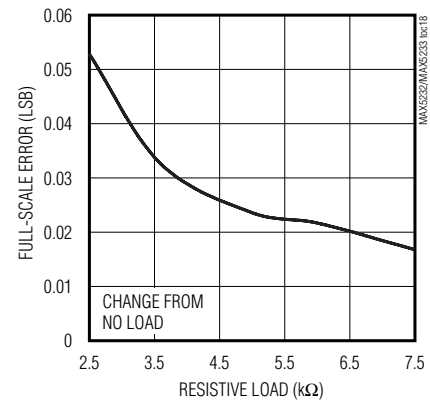
**FULL-SCALE OUTPUT VOLTAGE vs. TEMPERATURE (MAX5233)**



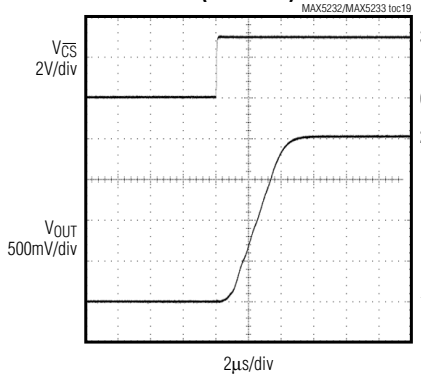
**FULL-SCALE ERROR vs. RESISTIVE LOAD (MAX5232)**



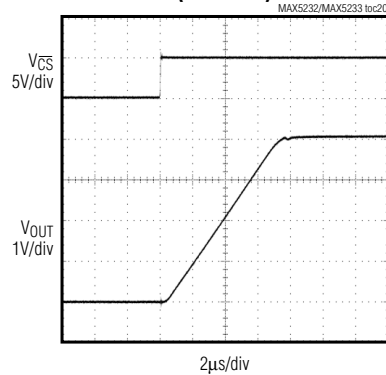
**FULL-SCALE ERROR vs. RESISTIVE LOAD (MAX5233)**



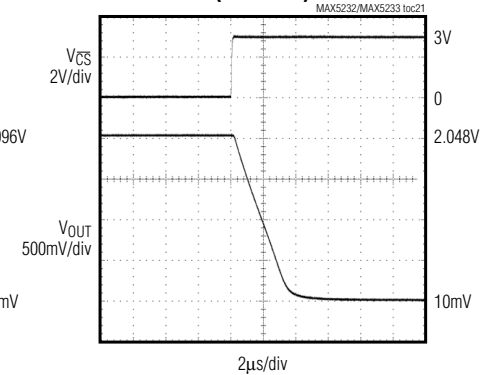
**DYNAMIC RESPONSE RISE TIME (MAX5232)**



**DYNAMIC RESPONSE RISE TIME (MAX5233)**



**DYNAMIC RESPONSE FALL TIME (MAX5232)**





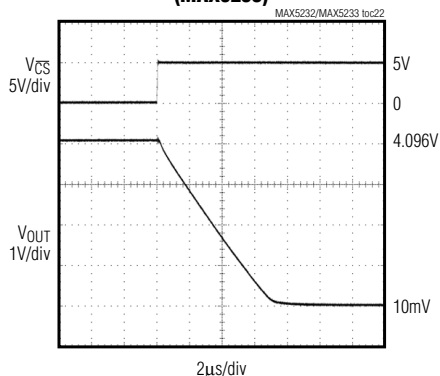
# 3V/5V, 10-Bit, Serial Voltage-Output Dual DACs with Internal Reference

MAX5232/MAX5233

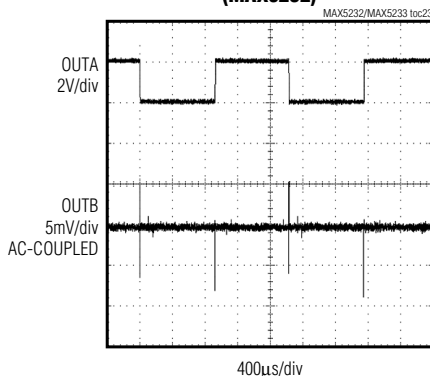
## Typical Operating Characteristics (continued)

( $V_{DD} = +3V$  (MAX5232),  $V_{DD} = +5V$  (MAX5233),  $R_L = 5k\Omega$ ,  $C_L = 100pF$ ,  $OS_- = AGND$ , both DACs enabled with full-scale output code,  $T_A = +25^\circ C$ , unless otherwise noted.)

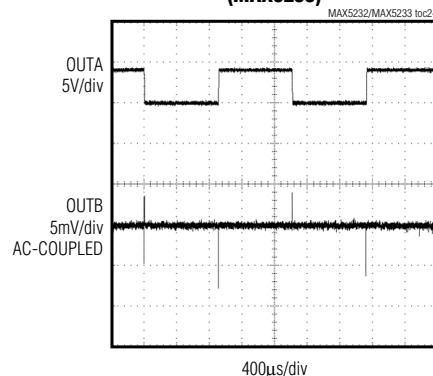
**DYNAMIC RESPONSE FALL TIME (MAX5233)**



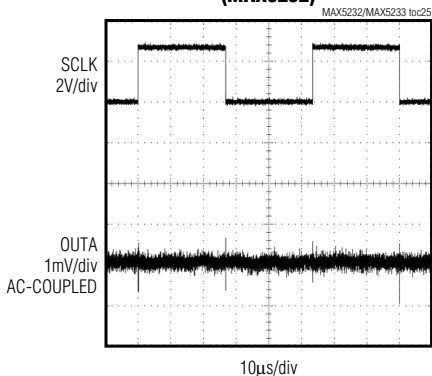
**ANALOG CROSSTALK (MAX5232)**



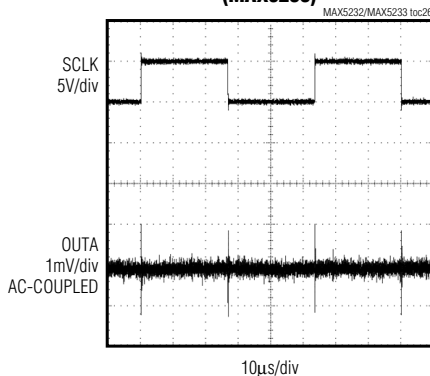
**ANALOG CROSSTALK (MAX5233)**



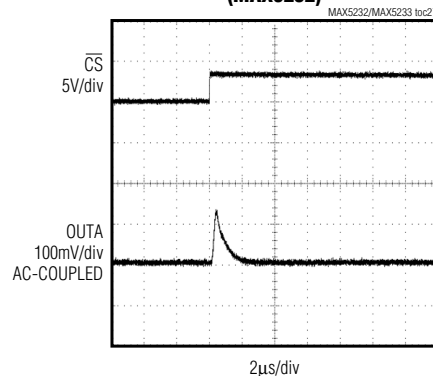
**DIGITAL FEEDTHROUGH (MAX5232)**



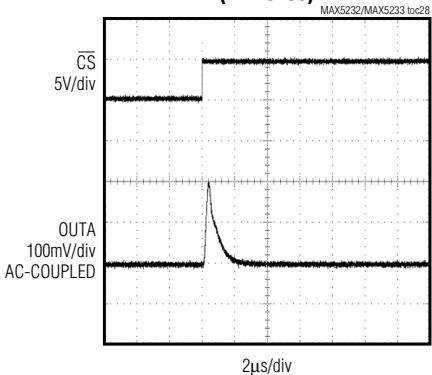
**DIGITAL FEEDTHROUGH (MAX5233)**



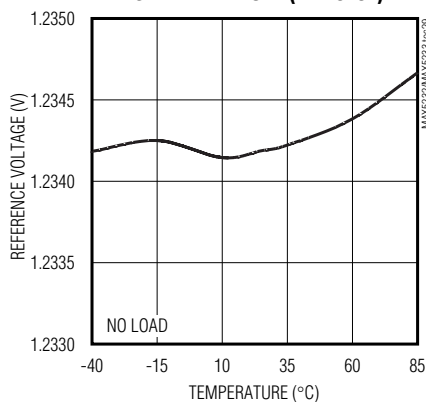
**MAJOR-CARRY TRANSITION (MAX5232)**



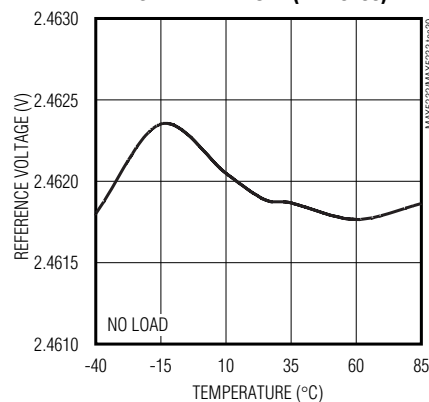
**MAJOR-CARRY TRANSITION (MAX5233)**



**REFERENCE VOLTAGE vs. TEMPERATURE (MAX5232)**



**REFERENCE VOLTAGE vs. TEMPERATURE (MAX5233)**



# 3V/5V, 10-Bit, Serial Voltage-Output Dual DACs with Internal Reference

## Pin Description

PIN	NAME	FUNCTION
1	OSA	DAC A Offset Adjust
2	OUTA	DAC A Output
3	RSTV	Reset Value Input 1: Connect to V <sub>DD</sub> to select midscale as the reset value. 0: Connect to DGND to select zero as the reset value.
4	$\overline{\text{LDAC}}$	Load DACs A and B
5	$\overline{\text{CLR}}$	Clear Input. Both DAC outputs go to zero or midscale. Clears both DAC internal registers (input register and DAC register) to its predetermined (RSTV) state.
6	$\overline{\text{CS}}$	Chip-Select Input
7	DIN	Serial Data Input. Data is clocked in on the rising edge of SCLK.
8	SCLK	Serial Clock Input
9	DGND	Digital Ground
10	DOUT	Serial Data Output
11	$\overline{\text{PDL}}$	Power-Down Lockout. Disables shutdown of both DACs when low.
12	REF	Reference Output. Reference provides a 2.465V (MAX5233) or 1.234V (MAX5232) nominal output.
13	AGND	Analog Ground
14	V <sub>DD</sub>	Positive Power Supply. Bypass V <sub>DD</sub> with a 0.1 $\mu$ F capacitor in parallel with a 4.7 $\mu$ F capacitor to AGND, and bypass V <sub>DD</sub> with a 0.1 $\mu$ F capacitor to DGND.
15	OUTB	DAC B Output
16	OSB	DAC B Offset Adjust

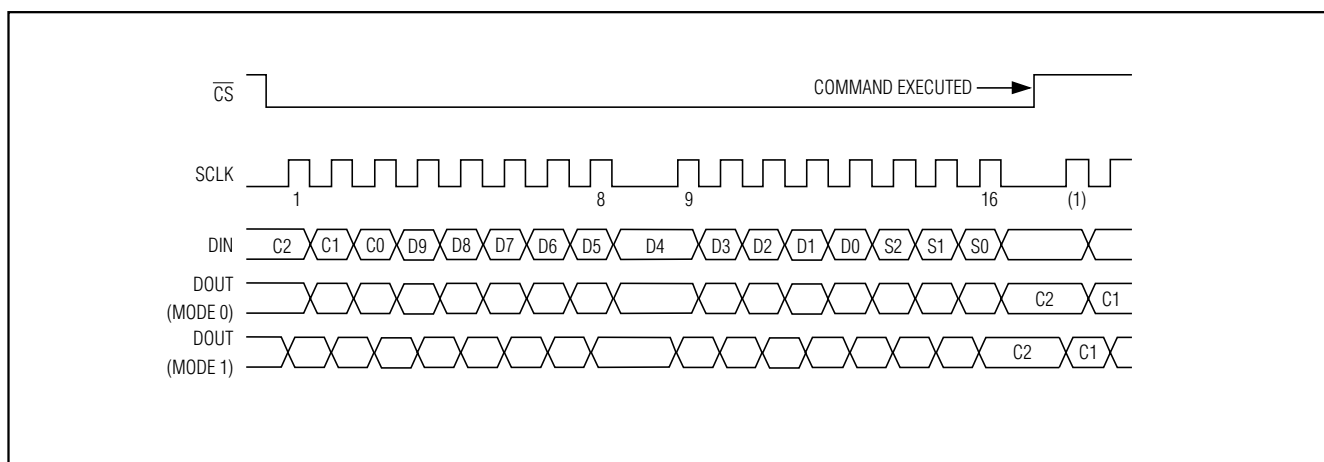


Figure 1. Serial Interface Timing

# 3V/5V, 10-Bit, Serial Voltage-Output Dual DACs with Internal Reference

MAX5232/MAX5233

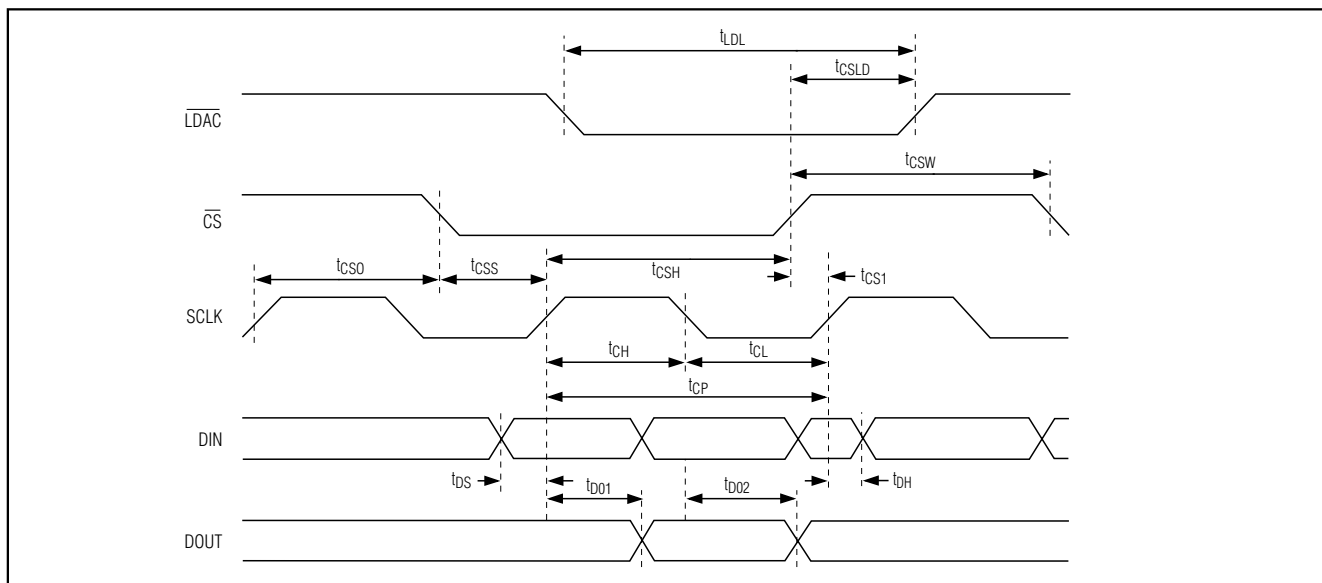


Figure 2. Detailed Serial Interface Timing

## Detailed Description

The MAX5232/MAX5233 10-bit, voltage-output DACs are easily configured with a 3-wire SPI-, QSPI-, MICROWIRE-compatible serial interface. The devices include a 16-bit data-in/data-out shift register and have an input consisting of an input register and a DAC register. In addition, these devices employ precision trimmed internal resistors to produce a gain of 1.6384V/V, maximizing the output voltage swing, and a programmable-shutdown output impedance of 1k $\Omega$  or 200k $\Omega$ . The full-scale output voltage is 4.092V for the MAX5233 and 2.046V for the MAX5232. These devices produce a weighted output voltage proportional to the digital input code with an inverted Rail-to-Rail<sup>®</sup> ladder network (Figure 3).

## Internal Reference

The MAX5230/MAX5231 use an on-board precision bandgap reference to generate an output voltage of 1.234V (MAX5232) or 2.465V (MAX5233). With a low temperature coefficient of only 10ppm/ $^{\circ}$ C, REF can source up to 100 $\mu$ A and is stable for capacitive loads less than 200pF.

## Output Amplifiers

The output amplifiers have internal resistors that provide for a gain of 1.6384V/V when OS<sub>-</sub> is connected to AGND. The output amplifiers have a typical slew rate of

0.6V/ $\mu$ s and settle to 1/2LSB within 10 $\mu$ s with a load of 5k $\Omega$  in parallel with 100pF. Use the serial interface to set the shutdown output impedance of the amplifiers to 1k $\Omega$  or 200k $\Omega$ .

OS<sub>-</sub> can be used to produce an offset voltage at the output. For instance, to achieve a 1V offset, apply -1V to OS<sub>-</sub> to produce an output range from 1V to (1V + V<sub>FS</sub>/V<sub>REF</sub>). Note that the DAC's output range is still limited by the maximum output voltage specification.

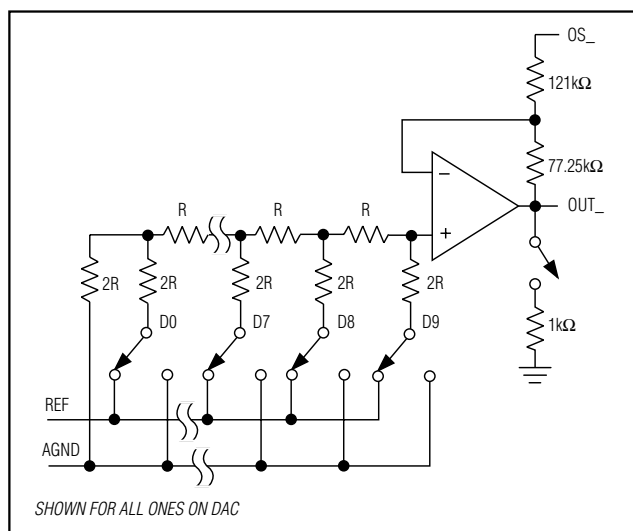


Figure 3. Simplified DAC Circuit Diagram

Rail-to-Rail is a registered trademark of Nippon Motorola, Ltd.

# 3V/5V, 10-Bit, Serial Voltage-Output Dual DACs with Internal Reference

**Table 1. Serial Data Format**

MSB <-----16-bits of serial data-----> LSB		
3 Control Bits	MSB .. 10 Data Bits ... LSB	Sub-Bit
C2...C0	D9 .....D0	S2, S1, S0

### Serial Interface

The 3-wire serial interface (SPI, QSPI, MICROWIRE compatible) used in the MAX5232/MAX5233 allows for complete control of DAC operations (Figures 4 and 5). Figures 1 and 2 show the timing for the serial interface. The serial word consists of 3 control bits followed by 10 data bits (MSB first) and 1 sub-bit as described in Tables 1, 2, and 3. When the three control bits are all zeros or all 1, D9–D6 are used as additional control bits, allowing for greater DAC functionality.

The digital inputs allow any of the following: loading the input register(s) without updating the DAC register(s), updating the DAC register(s) from the input register(s), or updating the input and DAC register(s) simultane-

ously. The control bits and D9–D6 allow the DACs to operate independently.

Send the 16-bit data as one 16-bit word (QSPI) or two 8-bit packets (SPI, MICROWIRE), with  $\overline{CS}$  low during this period. The control bits and D9–D6 determine which registers update and the state of the registers when exiting shutdown. The 3-bit control and D9–D6 determine the following:

- Registers to be updated
- Selection of the power-down and shutdown modes

The general timing diagram of Figure 1 illustrates data acquisition. Driving  $\overline{CS}$  low enables the device to receive data. Otherwise the interface control circuitry is disabled. With  $\overline{CS}$  low, data at DIN is clocked into the register on the rising edge of SCLK. As  $\overline{CS}$  goes high, data is latched into the input and/or DAC registers, depending on the control bits and D9–D6. The maximum clock frequency guaranteed for proper operation is 13.5MHz. Figure 2 depicts a more detailed timing diagram of the serial interface.

**Table 2. Serial-Interface Programming Commands**

16-BIT SERIAL WORD					FUNCTION
C2	C1	C0	D9.....D0	S2-S0	
0	0	1	10-bit DAC data	000	Load input register A; DAC registers are unchanged.
0	1	0	10-bit DAC data	000	Load input register A; all DAC registers are updated.
0	1	1	10-bit DAC data	000	Load all DAC registers from the shift register (start up both DACs with new data, and load the input registers).
1	0	0	X X X X X X X X X X	000	Update both DAC registers from their respective input registers (start up both DACs with data previously stored in the input registers).
1	0	1	10-bit DAC data	000	Load input register B; DAC registers are unchanged.
1	1	0	10-bit DAC data	000	Load input register B; all DAC registers are updated.
1	1	1	P1A P1B X X X X X X X X	000	Shut down both DACs, respectively, according to bits P1A and P1B (see Table 3). Internal bias and reference remain active.
0	0	0	0 0 1 X X X X X X X	000	Update DAC register A from input register A (start up DAC A with data previously stored in input register A).
0	0	0	0 1 1 P1A P1B X X X X X	000	Full Power-Down. Power down the main bias generator and shut down both DACs, respectively, according to bits P1A and P1B (see Table 3).
0	0	0	1 0 1 X X X X X X X	000	Update DAC register B from input register B (start up DAC B with data previously stored in input register B).
0	0	0	1 1 0 P1A X X X X X X	000	Shut down DAC A according to bit P1A (see Table 3).
0	0	0	1 1 1 P1B X X X X X X	000	Shut down DAC B according to bit P1B (see Table 3).
0	0	0	1 0 0 0 X X X X X X	000	Mode 0. DOUT clocked out on SCLK falling edge (default).
0	0	0	1 0 0 1 X X X X X X	000	Mode 1. DOUT clocked out on SCLK rising edge.

X = Don't care.

\* S0 must be zero for proper operation.

# 3V/5V, 10-Bit, Serial Voltage-Output Dual DACs with Internal Reference

MAX5232/MAX5233

## Power-Down and Shutdown Modes

As described in Tables 2 and 3, several serial interface commands put one or both of the DACs into shutdown mode. Shutdown modes are completely independent for each DAC. In shutdown, the amplifier output becomes high impedance, and  $OUT_{-}$  terminates to  $OS_{-}$  through the  $200k\Omega$  (typ) gain resistors. Optionally (see Tables 2 and 3),  $OUT_{-}$  can have an additional termination of  $1k\Omega$  to AGND.

Full power-down mode shuts down the main bias generator, reference, and both DACs. The shutdown impedance of the DAC outputs can still be controlled independently, as described in Tables 2 and 3.

A serial interface command exits shutdown mode and updates a DAC register. Each DAC can exit shutdown at the same time or independently (see Tables 2 and 3). For example, if both DACs are shut down, updating the DAC A register causes DAC A to power up, while DAC B remains shutdown. In full power-down mode, powering up either DAC also powers up the main bias generator and reference. To change from full power-down to both DACs shutdown requires the waking of at least one DAC between states.

When powering up the MAX5232/MAX5233 (powering  $V_{DD}$ ), allow  $400\mu s$  (max) for the output to stabilize. When exiting full power-down mode, also allow  $400\mu s$  (max) for the output to stabilize. When exiting DAC shutdown mode, allow  $160\mu s$  (max) for the output to stabilize.

## Reset Value (RSTV) and Clear (CLR) Inputs

Driving  $\overline{CLR}$  low asynchronously forces both DAC outputs and all the internal registers (input registers and DAC registers) for both DACs to either zero or midscale, depending on the level at RSTV.  $RSTV = DGND$  sets the zero value, and  $RSTV = V_{DD}$  sets the midscale value.

The internal power-on reset circuit sets the DAC outputs and internal registers to either zero or midscale when power is first applied to the device, depending on the level at RSTV as described in the preceding paragraph. The DAC outputs are enabled after power is first applied. In order to obtain the midscale value on power-up ( $RSTV = V_{DD}$ ), the voltage on RSTV must rise simultaneously with the  $V_{DD}$  supply.

**Table 3. P1 Shutdown Modes**

P1 (A/B)	SHUTDOWN MODE
0	Shut down with internal $1k\Omega$ load to GND
1	Shut down with internal $200k\Omega$ load to GND

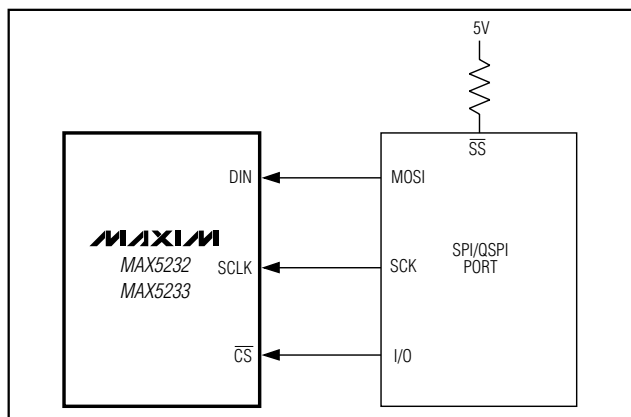


Figure 4. SPI/QSPI Interface Connections

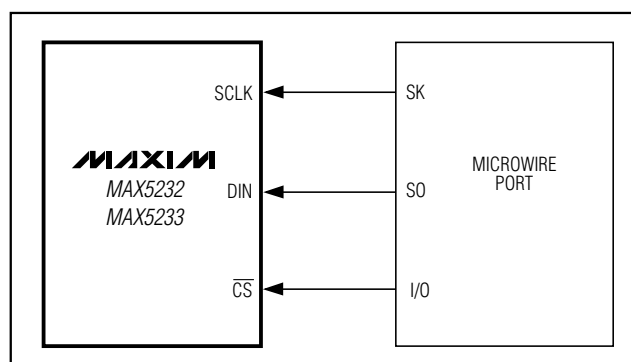


Figure 5. Connections for MICROWIRE

## Load DAC Input ( $\overline{LDAC}$ )

Asserting  $\overline{LDAC}$  asynchronously loads the DAC registers from their corresponding input registers (DACs that are shut down remain shut down). The  $\overline{LDAC}$  input is totally asynchronous and does not require any activity on  $\overline{CS}$ , SCLK, or DIN in order to take effect. If  $\overline{LDAC}$  is asserted coincident with a rising edge of  $\overline{CS}$ , which executes a serial command modifying the value of either DAC input register, then  $\overline{LDAC}$  must remain asserted for at least 30ns following the  $\overline{CS}$  rising edge. This requirement applies only for serial commands that modify the value of the DAC input registers.

## Power-Down Lockout Input ( $\overline{PDL}$ )

Driving  $\overline{PDL}$  low disables shutdown of either DAC. When  $\overline{PDL}$  is low, serial commands to shut down either DAC are ignored. When either DAC is in shutdown mode, a high-to-low transition on  $\overline{PDL}$  brings the DACs and the reference out of shutdown with DAC outputs set to the state prior to shutdown.

# 3V/5V, 10-Bit, Serial Voltage-Output Dual DACs with Internal Reference

## Applications Information

### Definitions

#### Integral Nonlinearity (INL)

Integral nonlinearity (Figure 6a) is the deviation of the values on an actual transfer function from a straight line. This straight line can be either a best-straight-line fit (closest approximation to the actual transfer curve) or a line drawn between the endpoints of the transfer function, once offset and gain errors have been nullified. For a DAC, the deviations are measured at every single step.

#### Differential Nonlinearity (DNL)

Differential nonlinearity (Figure 6b) is the difference between an actual step height and the ideal value of 1LSB. If the magnitude of the DNL is less than 1LSB, the DAC guarantees no missing codes and is monotonic.

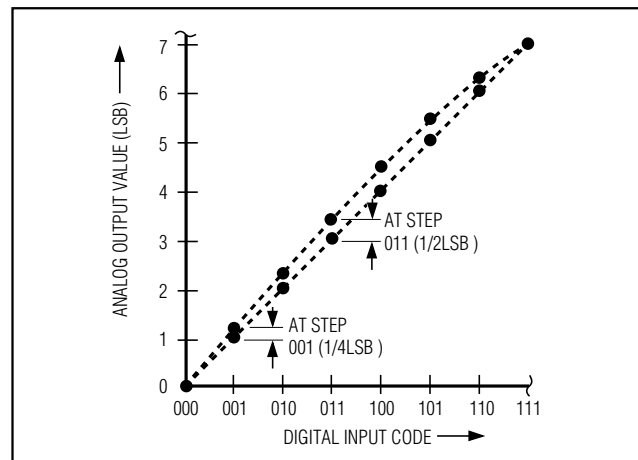


Figure 6a. Integral Nonlinearity

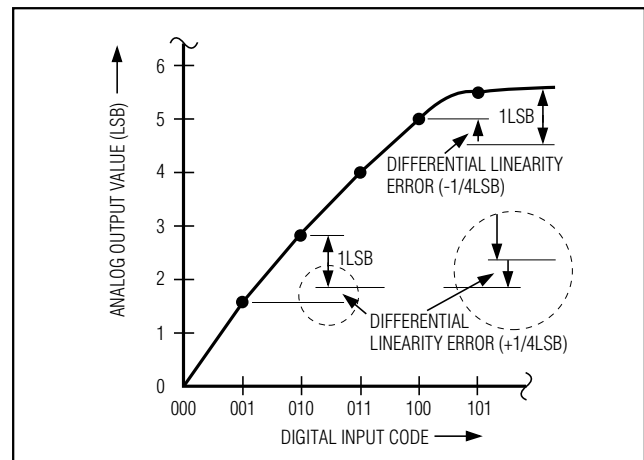


Figure 6b. Differential Nonlinearity

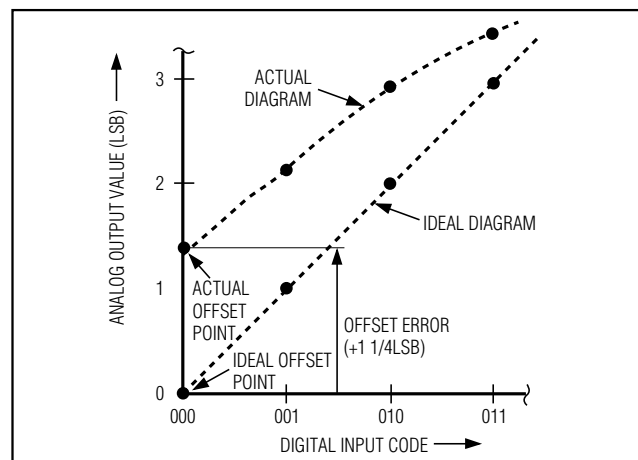


Figure 6c. Offset Error

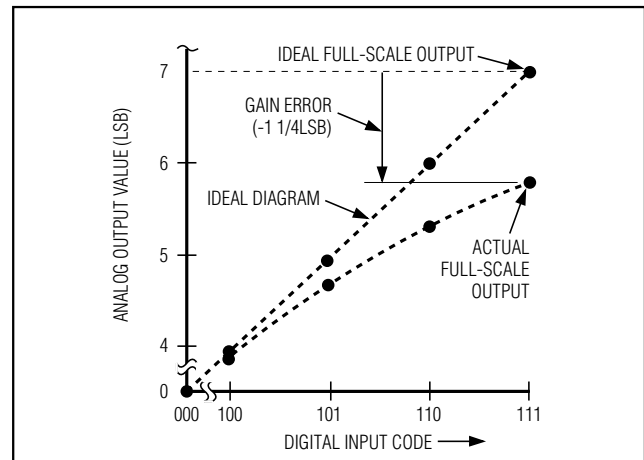


Figure 6d. Gain Error

#### Offset Error

The offset error (Figure 6c) is the difference between the ideal and the actual offset point. For a DAC, the offset point is the step value when the digital input is zero. This error affects all codes by the same amount and can usually be compensated for by trimming.

#### Gain Error

Gain error (Figure 6d) is the difference between the ideal and the actual full-scale output voltage on the transfer curve, after nullifying the offset error. This error alters the slope of the transfer function and corresponds to the same percentage error in each step.

#### Settling Time

The settling time is the amount of time required from the start of a transition, until the DAC output settles to its new output value within the converter's specified accuracy.

# 3V/5V, 10-Bit, Serial Voltage-Output Dual DACs with Internal Reference

**MAX5232/MAX5233**

**Table 4. Unipolar Code Table**

DAC CONTENTS		ANALOG OUTPUT (V)	
MSB	LSB	MAX5232	MAX5233
1111	1111 11	2.046	4.092
1000	0000 01	1.025	2.050
1000	0000 00	1.023	2.046
0111	1111 11	1.021	2.042
0000	0000 01	0.002	0.004
0000	0000 00	0	0

### Digital Feedthrough

Digital feedthrough is noise generated on the DAC's output when any digital input transitions. Proper board layout and grounding significantly reduce this noise, but there is always some feedthrough caused by the DAC itself.

### Unipolar Output

Figure 7 shows the MAX5232/MAX5233 configured for unipolar, rail-to-rail operation. The MAX5233 produces a 0 to 4.092V output, while the MAX5232 produces 0 to 2.046V output. Table 4 lists the unipolar output codes.

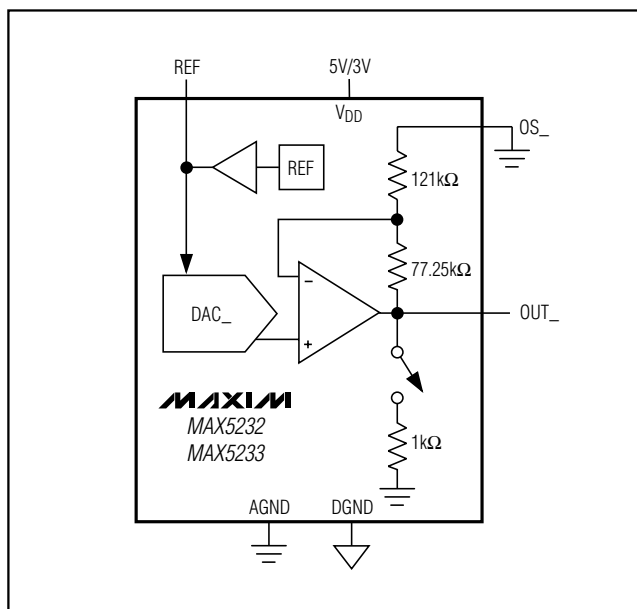


Figure 7. Unipolar Output Circuit (Rail-to-Rail)

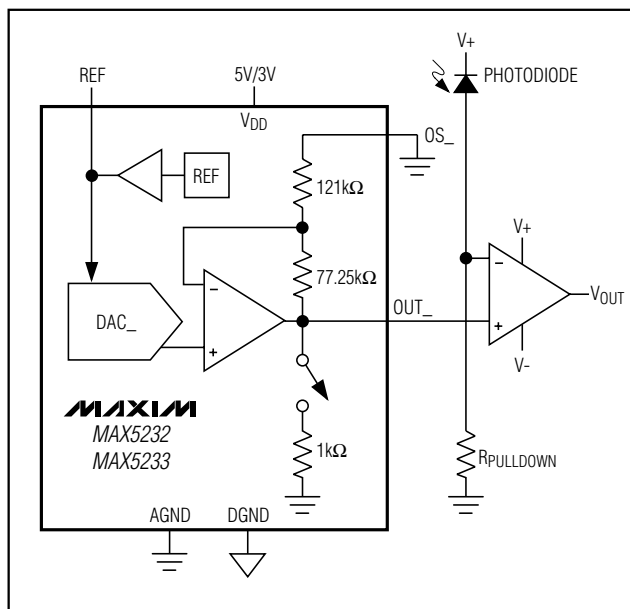


Figure 8. Digital Calibration

### Digital Calibration and Threshold Selection

Figure 8 shows the MAX5232/MAX5233 in a digital calibration application. With a bright light value applied to the photodiode (on), the DAC is digitally ramped until it trips the comparator. The microprocessor ( $\mu$ P) stores this high calibration value. Repeat the process with a dim light (off) to obtain the dark current calibration. The  $\mu$ P then programs the DAC to set an output voltage at the midpoint of the two calibrated values. Applications include tachometers, motion sensing, automatic readers, and liquid clarity analysis.

### Sharing a Common DIN Line

Several MAX5232/MAX5233s may share one common DIN signal line (Figure 9). In this configuration, the data bus is common to all devices; data is not shifted through a daisy-chain. The SCLK and DIN lines are shared by all devices, but each IC needs its own dedicated CS line.

### Daisy-Chaining Devices

Any number of MAX5232/MAX5233s can be daisy-chained by connecting the serial data output (DOUT) of one device to the digital input (DIN) of the following device in the chain (Figure 10).



# 3V/5V, 10-Bit, Serial Voltage-Output Dual DACs with Internal Reference

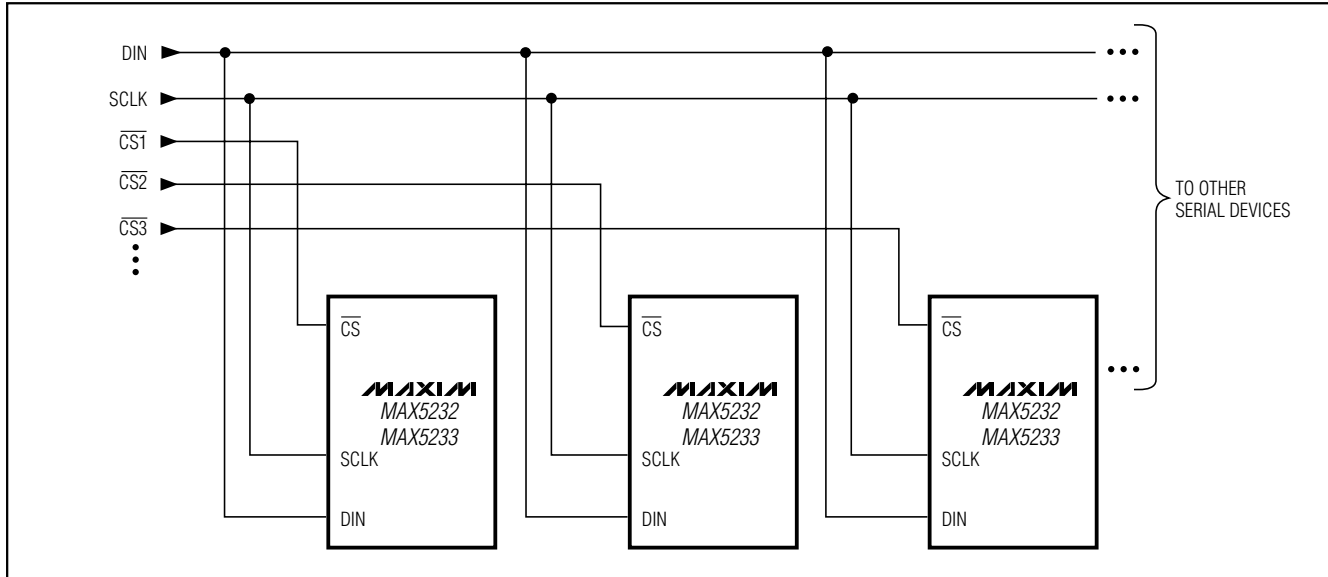


Figure 9. Multiple MAX5230/MAX5231s Sharing a Common DIN Line

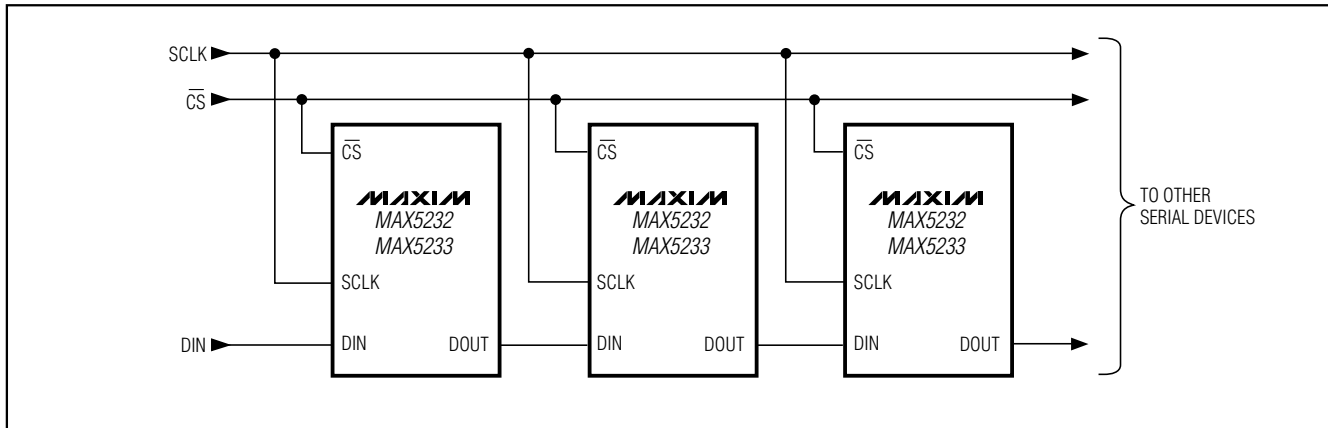


Figure 10. Daisy-Chaining MAX5230/MAX5231 Devices

### Power-Supply and Bypassing Considerations

On power-up, the input and DAC registers are cleared to either zero (RSTV = DGND) or midscale (RSTV = V<sub>DD</sub>). Bypass V<sub>DD</sub> with a 4.7μF capacitor in parallel with a 0.1μF capacitor to AGND, and bypass V<sub>DD</sub> with a 0.1μF capacitor to DGND. Minimize lead lengths to reduce lead inductance.

### Grounding and Layout Considerations

Digital and AC transient signals on AGND or DGND can create noise at the output. Connect AGND and DGND to the highest quality ground available. Use proper

grounding techniques, such as a multilayer board with a low-inductance ground plane or star connect all ground return paths back to the MAX5232/MAX5233 AGND. Carefully lay out the traces between channels to reduce AC cross-coupling and crosstalk. Wire-wrapped boards and sockets are not recommended. If noise becomes an issue, shielding may be required.

### Chip Information

TRANSISTOR COUNT: 4745

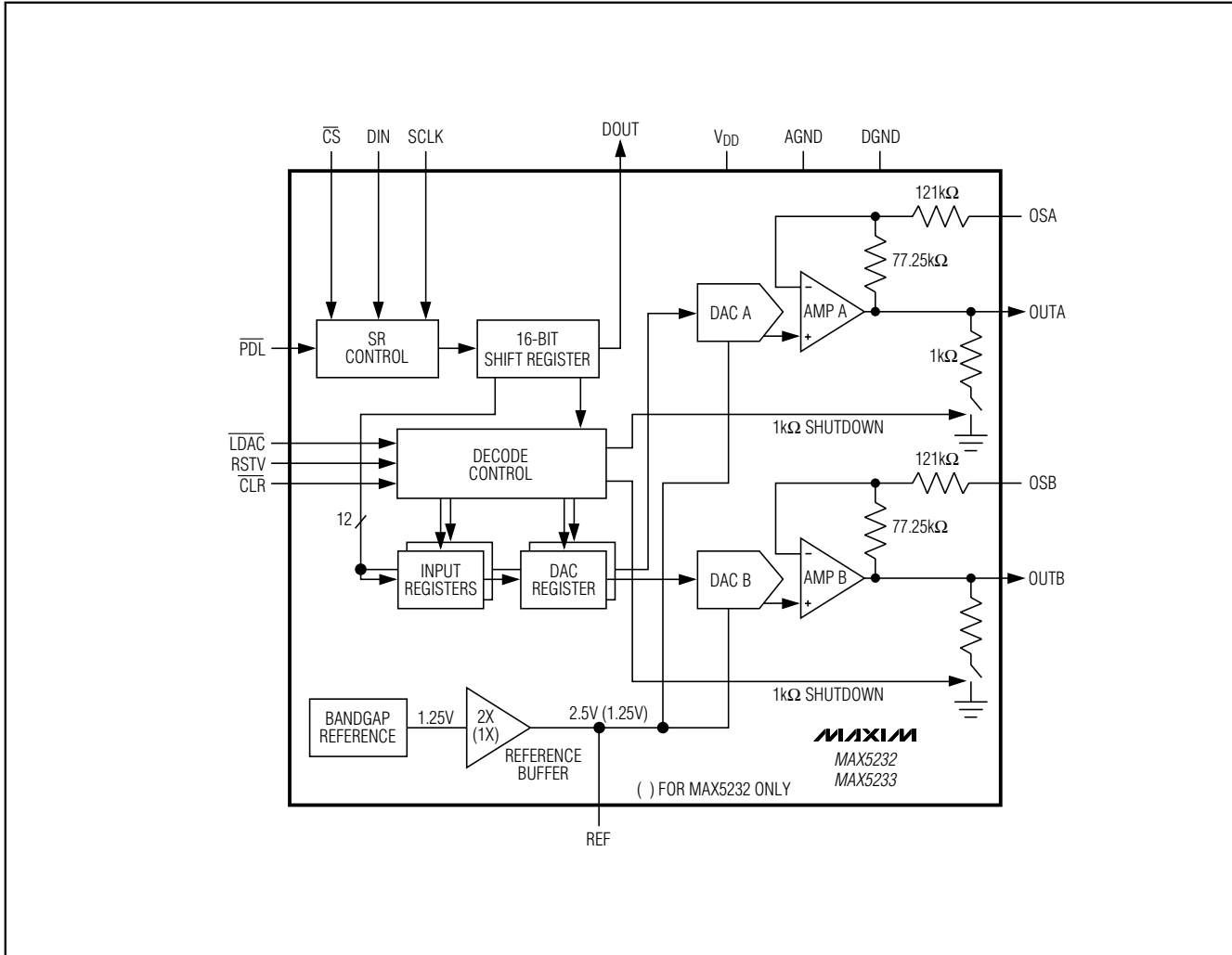
PROCESS: BiCMOS



# 3V/5V, 10-Bit, Serial Voltage-Output Dual DACs with Internal Reference

Functional Diagram

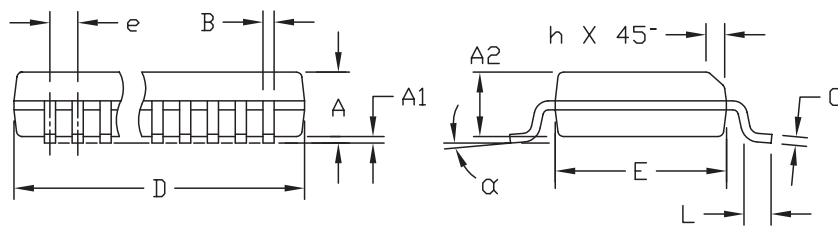
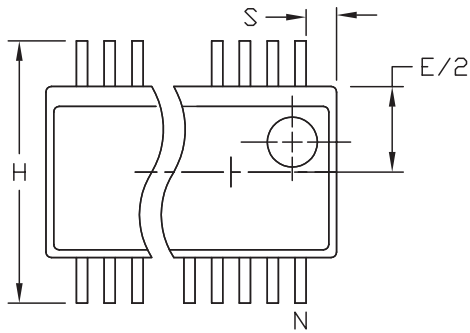
MAX5232/MAX5233



# 3V/5V, 10-Bit, Serial Voltage-Output Dual DACs with Internal Reference

## Package Information

QSOPERS



DIM	INCHES		MILLIMETERS	
	MIN	MAX	MIN	MAX
A	.061	.068	1.55	1.73
A1	.004	.0098	0.102	0.249
A2	.055	.061	1.40	1.55
B	.008	.012	0.20	0.31
C	.0075	.0098	0.191	0.249
D	SEE VARIATIONS			
E	.150	.157	3.81	3.99
e	.025 BSC		0.635 BSC	
H	.230	.244	5.84	6.20
h	.010	.016	0.25	0.41
L	.016	.035	0.41	0.89
N	SEE VARIATIONS			
α	0°	8°	0°	8°

VARIATIONS:

DIM	INCHES		MILLIMETERS		N
	MIN.	MAX.	MIN.	MAX.	
D	.189	.196	4.80	4.98	16   AA
S	.0020	.0070	0.05	0.18	
D	.337	.344	8.56	8.74	20   AB
S	.0500	.0550	1.270	1.397	
D	.337	.344	8.56	8.74	24   AC
S	.0250	.0300	0.635	0.762	
D	.386	.393	9.80	9.98	28   AD
S	.0250	.0300	0.635	0.762	

NOTES:

- 1). D & E DO NOT INCLUDE MOLD FLASH OR PROTRUSIONS.
- 2). MOLD FLASH OR PROTRUSIONS NOT TO EXCEED .006" PER SIDE.
- 3). CONTROLLING DIMENSIONS: INCHES.
- 4). MEETS JEDEC MO137.

PROPRIETARY INFORMATION

TITLE:  
PACKAGE OUTLINE, QSOP, .150", .025" LEAD PITCH

APPROVAL	DOCUMENT CONTROL NEL	REV	D 1/1
21-0055			

Maxim cannot assume responsibility for use of any circuitry other than circuitry entirely embodied in a Maxim product. No circuit patent licenses are implied. Maxim reserves the right to change the circuitry and specifications without notice at any time.

18 \_\_\_\_\_ **Maxim Integrated Products, 120 San Gabriel Drive, Sunnyvale, CA 94086 408-737-7600**